

Symmetra[®] LX UPS Rail Installation Guide

Overview

Illustrations are representative. Your equipment, may be different from the models shown in this guide.

Entire contents copyright[©] 2004 by American Power Conversion Corporation. All rights reserved. Reproduction in whole or in part without permission is prohibited. APC[®] and Symmetra[®] are registered trademarks of American Power Conversion Corporation. All other trademarks are the property of their respective owners.

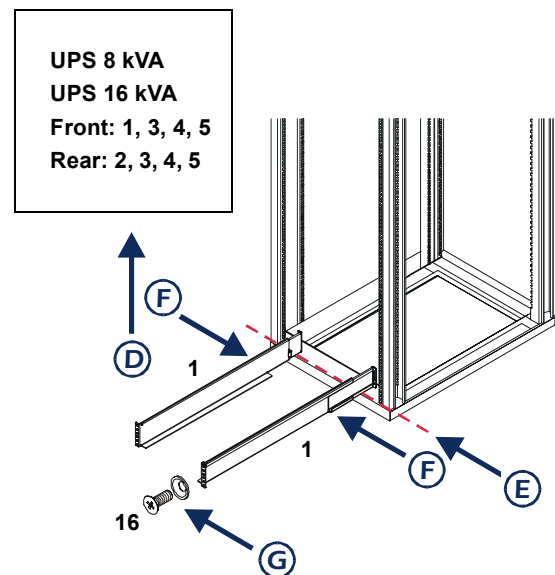
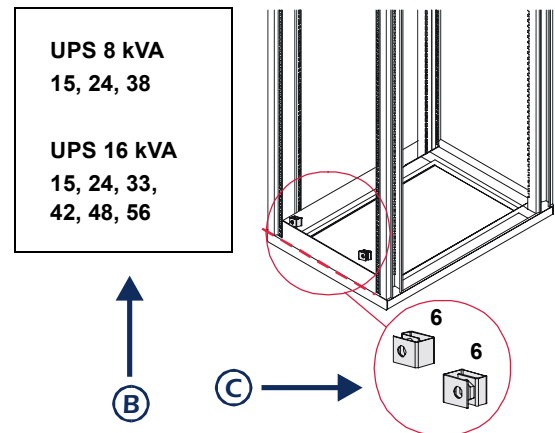
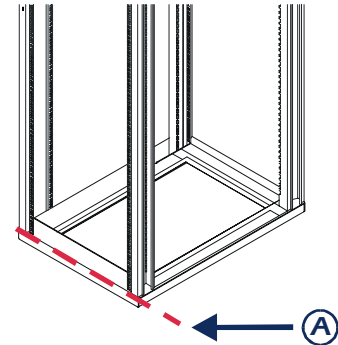
Installation

Install Clip Nuts

1. Mark clip nut locations in the front rack posts.
 - a. Count up from the bottom u-space or designated u-space location **(A)** in the rack.
 - b. Refer to the table **(B)** for clip nut locations.
 - c. Install clip nuts **(C)** in the marked locations in the rack.

Install Rails

1. Mark rail hole locations in all four rack posts.
 - a. Refer to the table **(D)** for rail hole locations.
 - b. Count up from the bottom u-space or designated u-space location **(E)** in the rack
2. Slide and adjust the rails **(F)** to the depth of the inside of the rack.
3. Use the countersunk screws **(G)** to attach the rails in the marked locations in the rack.



Symmetra[®] LX Extended Run Cabinet Rail Installation Guide

Overview

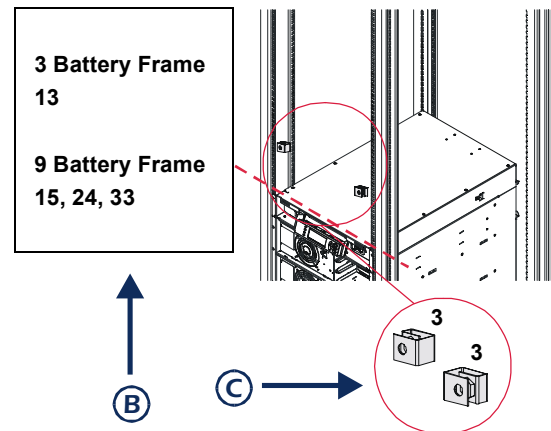
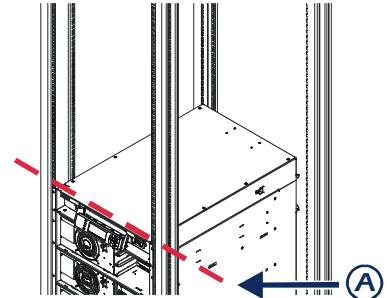
Illustrations are representative. Your equipment, may be different from the models shown in this guide.

Entire contents copyright[©] 2004 by American Power Conversion Corporation. All rights reserved. Reproduction in whole or in part without permission is prohibited. APC[®] and Symmetra[®] are registered trademarks of American Power Conversion Corporation. All other trademarks are the property of their respective owners.

Installation

Install Clip Nuts

1. Mark clip nut locations in the front rack posts.
 - a. Count up from the first u-space location **(A)** above the UPS.
 - b. Refer to the table **(B)** for clip nut locations.
 - c. Install clip nuts **(C)** in the marked locations in the rack.



Install Rails

1. Mark rail hole locations in all four rack posts.
 - a. Refer to the table **(D)** for rail hole locations.
 - b. Count up from the first u-space location **(E)** above the UPS.
2. Slide and adjust the rails **(F)** to the depth of the inside of the rack.
3. Use the countersunk screws **(G)** to attach the rails in the marked locations in the rack.

