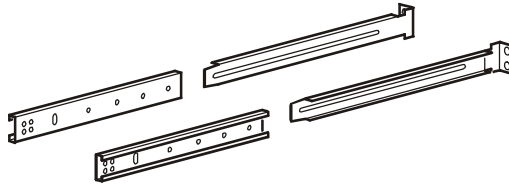


Rack Automatic Transfer Switch Front and Rear Rail Kit(AP7768)—Installation

Inventory



Note: These instructions apply to both 1U and 2U Rack Automatic Transfer Switches.



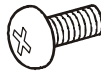
Front and rear rail segments (2 each)



Hex nuts (2)



Washers (4)



Phillips pan-head screws (2)



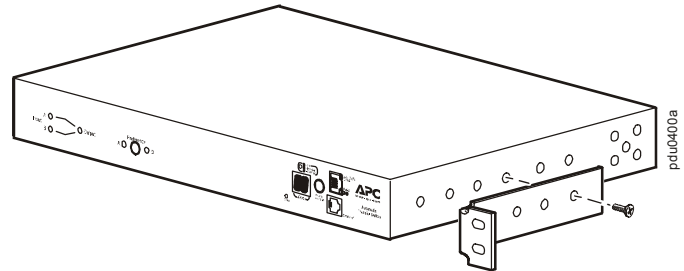
Phillips flat-head screws (4)



Phillips flat-head mounting screws (4)

Attach the mounting brackets

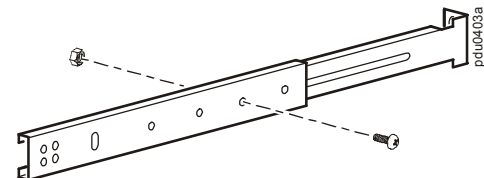
Attach the left and right mounting brackets to the unit, using two Phillips flat-head screws (provided) for each bracket. Place the brackets flush with the front of the rack to leave room for routing cables.



Disassemble the adjustable brackets

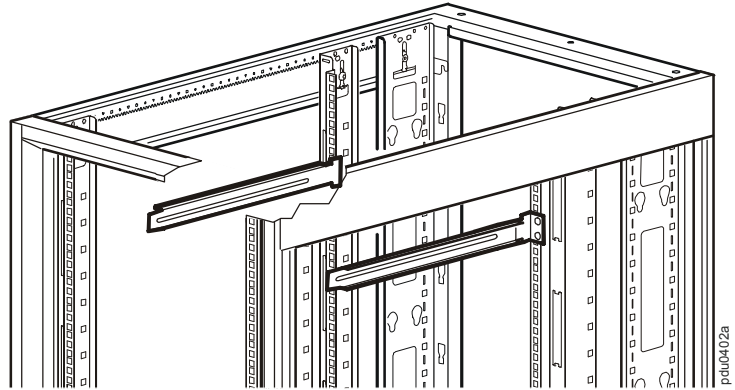
The adjustable brackets are necessary only if you are using a four-post enclosure or rack. If you are using a two-post rack, the Automatic Transfer Switch is supported by the mounting brackets alone.

1. Disassemble each adjustable bracket by removing the slide screw and nut.
2. Set the screws, nuts, and adjustable bracket segments aside.



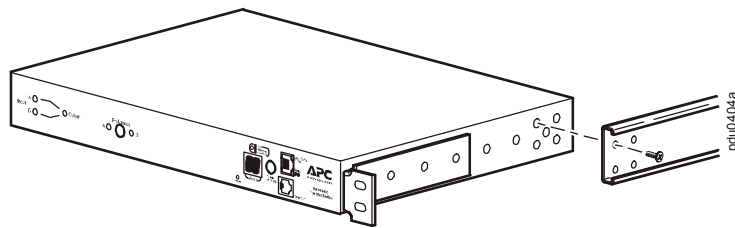
Attach rear segments to the rack

1. Insert cage nuts (provided with your enclosure) on the rear vertical mounting rails of the enclosure at your chosen location.
2. Align the rear segments of the adjustable bracket with the cage nuts you inserted in step 1.
3. Insert and tighten the Phillips flat-head mounting screws (provided).



Attach front segments to the switch

1. Align the front segments of the adjustable bracket with the four corresponding holes on the sides of the Automatic Transfer Switch (ATS).
2. Attach both front segments to the ATS using two Phillips pan-head screws (provided) for each bracket segment.

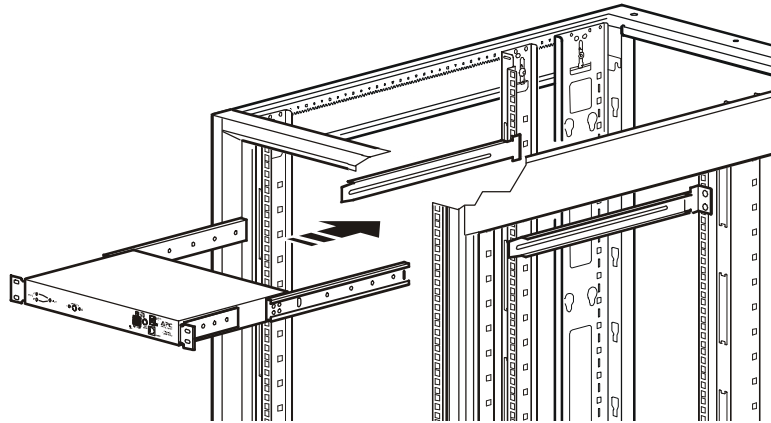


Install the Automatic Transfer Switch in the enclosure



Heavy: Two people should perform this procedure.

1. Position the Automatic Transfer Switch in front of the mounted rear adjustable bracket segments.
2. Align the front and rear adjustable bracket segments, and slide the front segments onto the rear segments.
3. Align the mounting brackets on the switch with the front vertical mounting rails of the enclosure and insert cage nuts (provided with your enclosure) in the appropriate holes on the front vertical mounting rails.
4. Insert and tighten the Phillips flat-head mounting screws (provided).
5. Insert slide screws and nuts (see “Disassemble the adjustable brackets”) into each adjustable bracket, and tighten them to secure the positions of the adjustable brackets.



Customer support and warranty information is available at the APC Web site, www.apc.com.

© 2007 American Power Conversion. All rights reserved. All APC trademarks are property of American Power Conversion. Other trademarks are property of their respective owners.

990-3169
06/2007

