



by Schneider Electric

Installation Guide Smart-UPS™ RT External Battery Module SRTG192XLBP4

Important Safety Instructions

Read these instructions carefully and look at the equipment to become familiar with the device before trying to install, operate, service or maintain it. The following special messages may appear throughout this document or on the equipment to warn of potential hazards or to call attention to information that clarifies or simplifies a procedure.



The addition of this symbol to either a “Danger” or “Warning” safety label indicates that an electrical hazard exists which will result in personal injury if the instructions are not followed.



This is the safety alert symbol. It is used to alert you to potential personal injury hazards. Obey all safety messages that follow this symbol to avoid possible injury or death.

DANGER

DANGER indicates a hazardous situation which, if not avoided, **will result in death or serious injury**.

WARNING

WARNING indicates a hazardous situation which, if not avoided, **could result in death or serious injury**.

CAUTION

CAUTION indicates a hazardous situation which, if not avoided, **could result in minor or moderate injury**.

NOTICE

NOTICE is used to address practices not related to physical injury.

Product Handling Guidelines



Safety and General Information

- Adhere to all national and local electrical codes.
- Changes and modifications to this unit not expressly approved by APC by Schneider Electric could void the warranty.
- This unit is intended only for indoor use in a controlled environment.
- Do not operate this unit in direct sunlight, in contact with fluids, or where there is excessive dust or humidity.
- Be sure the air vents on the unit are not blocked. Allow adequate space for proper ventilation.
- Before installing or replacing the batteries, remove jewelry such as wristwatches and rings. High, short circuit current through conductive materials could cause severe burns.
- The battery typically lasts for two to five years. Environmental factors impact battery life.
- Elevated ambient temperatures, poor quality mains power, and frequent short duration discharges will shorten battery life.
- The equipment is heavy. Always practice safe lifting techniques adequate for the weight of the equipment.
- The batteries are heavy. Remove the batteries before installing the UPS and external battery modules in a rack.
- Always install XLBPs at the bottom in rack-mount configurations. The UPS must be installed above the XLBPs.
- Do not dispose of batteries by burning them. The batteries may explode.
- Do not open or mutilate batteries. Released electrolyte is harmful to the skin and eyes, and may be toxic.
- Always recycle used batteries.
- Recycle the package materials or save them for reuse.
- Additional safety information can be found in the Safety Guide supplied with this unit.
- A battery can present a risk of electric shock and burns by high short-circuit current.
- Failed batteries can reach temperatures that exceed the burn thresholds for touchable surfaces.

Battery safety

CAUTION

RISK OF FALLING OBJECTS

- Each battery module weighs 16.5 kg (36.4 lb).
- Always practice safe lifting techniques adequate for the weight of the equipment.
- Remove the battery modules before installing the XLBP.
- Use the battery module handle to carefully slide the battery modules in or out of the XLBP.
- Do not use the battery module handle to lift or carry the battery module.

Failure to follow these instructions can result in equipment damage and minor or moderate injury.

CAUTION

RISK OF HYDROGEN SULPHIDE GAS AND EXCESSIVE SMOKE

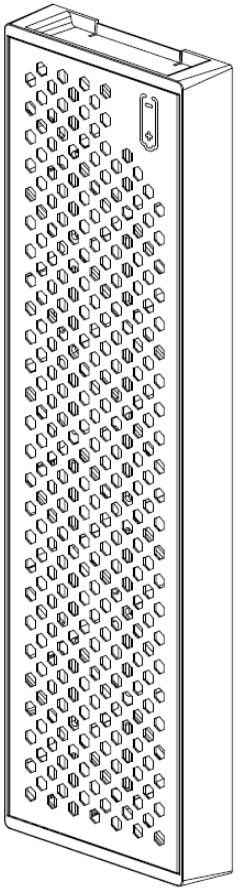
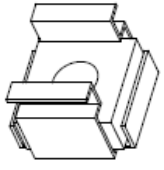


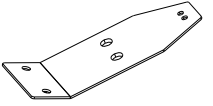
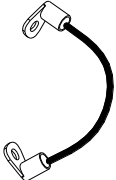
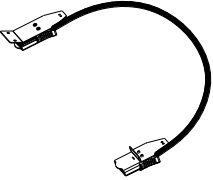
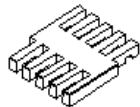
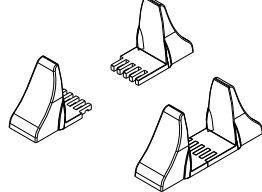
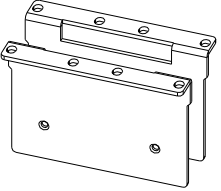


- Replace the battery at least every 5 years or at the end of its service life, whichever is earlier.
- Replace the battery immediately when the UPS indicates battery replacement is necessary.
- Replace batteries with the same number and type of batteries as originally installed in the equipment.
- Replace the battery immediately when the UPS indicates a battery over-temperature condition, or when there is evidence of electrolyte leakage. Power off the UPS, unplug it from the AC input, and disconnect the batteries. Do not operate the UPS until the batteries have been replaced.
- *Replace all battery modules (including the modules in External Battery Packs) which are older than one year, when installing additional battery packs or replacing the battery module(s).

Failure to follow these instructions can result in minor or moderate injury and equipment damage.

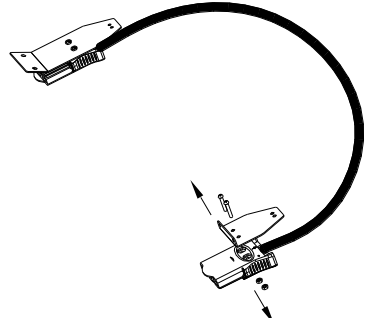
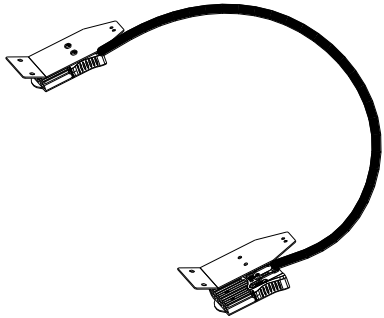
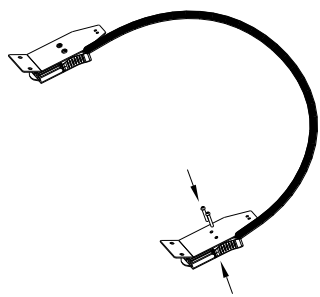
* Contact APC by Schneider Electric Worldwide Customer Support to determine the age of the installed battery modules.

Package Contents

Inspect the contents upon receipt. Notify the carrier and dealer if there is damage.

Included with all models			
<p>Front bezel</p> 	<p>M5 Floating nut to secure the battery pack to the rack</p>  <p>(x4)</p> <p>M4x6 flat head screws to secure the rack-mount brackets to the UPS.</p>  <p>(x4)</p> <p>M5x12 Phillips flat head screw to secure the XLBP to the rack</p>  <p>(x4)</p> <p>Battery connector holder</p>  <p>(x1)</p>	<p>Ground cable 0.74 m</p>  <p>(x1)</p> <p>Battery wire 0.64 m Connect UPS and battery pack</p>  <p>(x1)</p> <p>Stabilizer bracket connectors</p>  <p>(x6)</p> <p>Stabilizer bracket</p>  <p>(x2 pairs)</p>	<p>Rack-mount brackets</p>  <p>(x1 pair)</p> <p>Installation manual</p>  <p>(x1)</p> <p>Packing list</p>  <p>(x1)</p>

Change the connector holder of the battery cable to connect one battery pack to another battery pack

<p>1 Remove the screw and connector holder.</p> 	<p>2 Change the connector holder.</p> 	<p>3 Secure the connector holder with 2 screws</p> 
--	---	---

Specifications

For additional specifications, refer to the APC by Schneider Electric Web site at www.apc.com.

Environmental

Temperature	Operating	0 to 40 °C (32 to 104 °F)
	Storage	-15 to 45 °C (5 to 113 °F)
Maximum Elevation	Operating	0 - 3,000 m (0 - 10,000 ft) 0-1,000 m no derating; 1,000 to 3,000 m, power reduction of 1%/100 m
	Storage	0 - 15,000 m (0 - 50,000 ft.)
Humidity	0% to 95% relative humidity, non-condensing	
International Protection Code	IP20	
<p>Note: Charge the battery modules every six months during storage. Environmental factors impact battery life. Elevated ambient temperatures, high humidity, poor quality mains power causing frequent short duration discharges will shorten battery life.</p>		

Physical

The XLBP is heavy. Follow all lifting guidelines.

XLBP model	SRTG192XLBP4
Unit weight batteries included, without packaging	83.5 kg
Unit weight batteries included, with packaging	101.5 kg
Unit dimensions without packaging Height x Width x Depth	131 x 440 x 680 mm (5.2 x 17.3 x 26.8 in.)
Unit dimensions with packaging Height x Width x Depth	495 x 594 x 794 mm (19.5 x 23.4 x 31.3 in.)
The model and serial numbers are on a small label located on the rear panel.	

Battery

UPS model	SRTG5KXLI SRTG6KXLI	SRTG8KXLI SRTG10KXLI
XLBP model	SRTG192XLBP4	
Replacement battery module This UPS has replaceable battery modules. Refer to the appropriate replacement battery user manual for installation instructions. Contact your dealer or go the APC by Schneider Electric Web site, www.apc.com for information on replacement batteries.	APCRBC174	
Total Voltage of battery pack for UPS	±96 VDC	
Ah rating	5 Ah	
Battery type	Sealed maintenance free lead acid battery	
XLBP wire length	0.64 m	

Remove Battery Modules

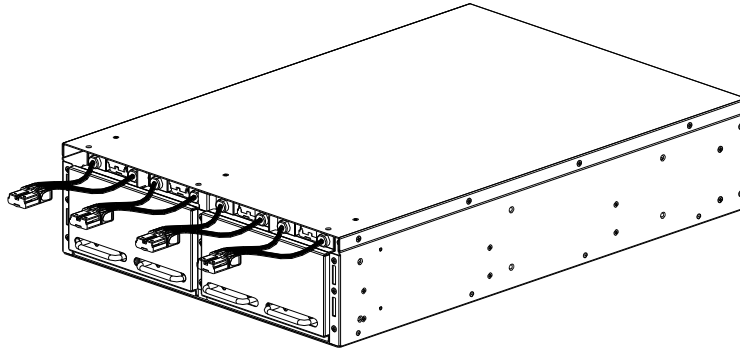
⚠ CAUTION

RISK OF FALLING OBJECTS

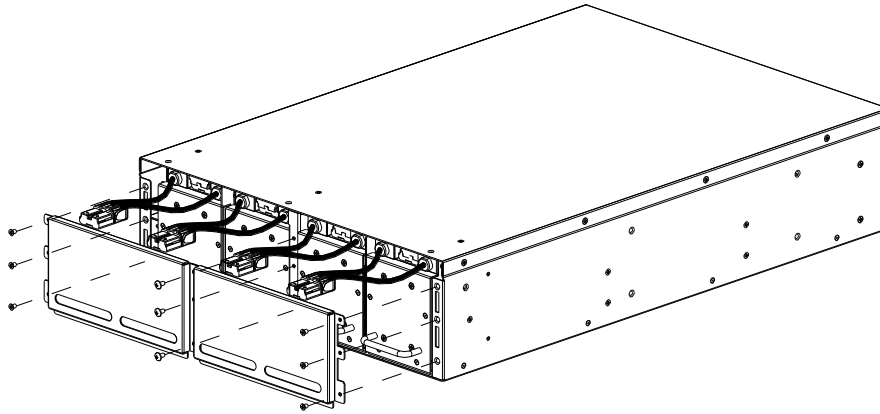
- The equipment is heavy. Each battery module weighs 16.5 kg (36.4 lb).
- Always practice safe lifting techniques adequate for the weight of the equipment.
- Remove the battery modules before installing the XLBP.
- Use the battery module handle to slide the battery modules in or out of the XLBP.
- Do not use the battery module handle to lift or carry the battery module.

Failure to follow these instructions can result in equipment damage and minor or moderate injury.

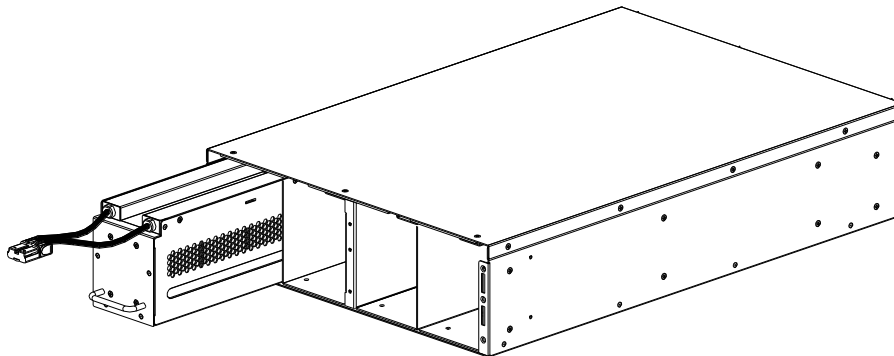
- 1 Disconnect battery.



- 2 Remove the screws and the battery compartment door.



- 3 Remove the battery modules from the battery pack.



Rack-Mount Installation

Your UPS model may differ in appearance from those depicted in these graphics. The SRTG192XLBP4 installation process is identical for all models.

Refer to the rail kit Installation Guide for instructions on rail installation.

⚠ CAUTION

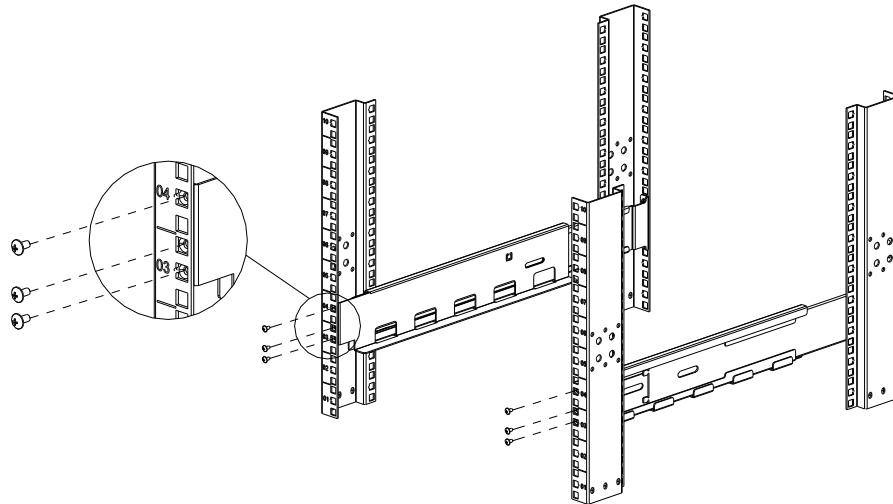
RISK OF FALLING OBJECTS

- The equipment is heavy. Always practice safe lifting techniques adequate for the weight of the equipment.
- Always use the recommended number of screws to secure brackets to the XLBP.
- Always use the recommended number of screws and cage nuts to secure XLBP to the rack.
- Always install the XLBP at the bottom of the rack.
- Always install the XLBP below the UPS in the rack.
- Use the battery module handle to slide the battery modules in or out of the XLBP.
- Do not use the battery module handle to lift or carry the battery module.

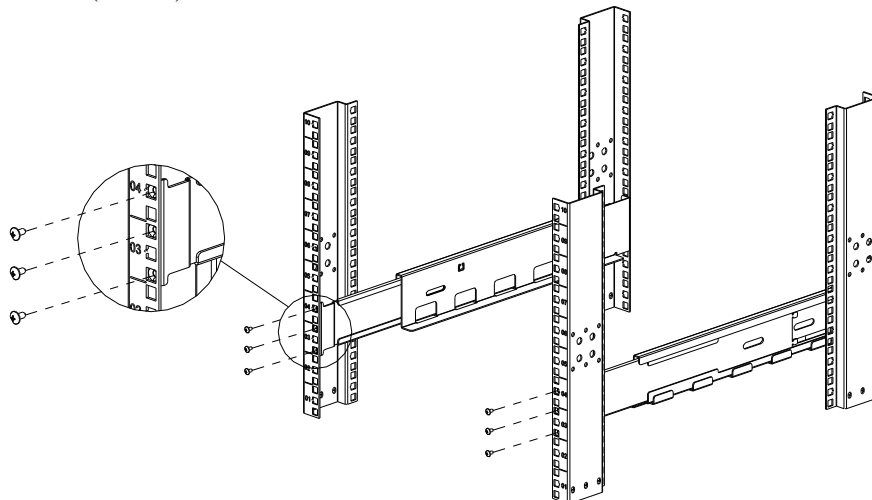
Failure to follow these instructions can result in equipment damage and minor or moderate injury.

Install the battery pack

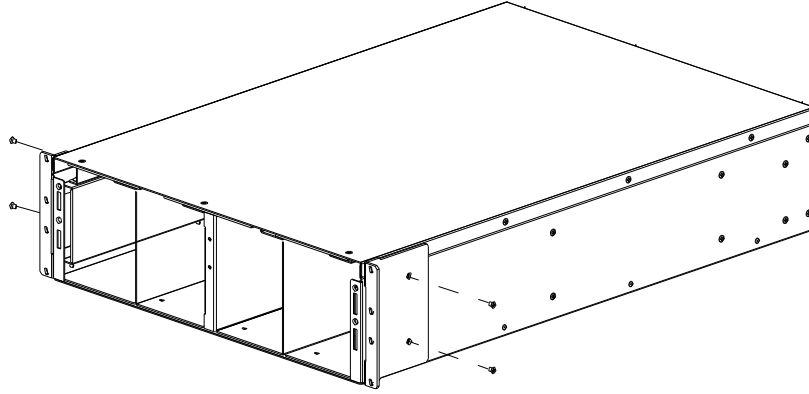
- 1 Secure the front of rail with 6 (M5x12) screws.



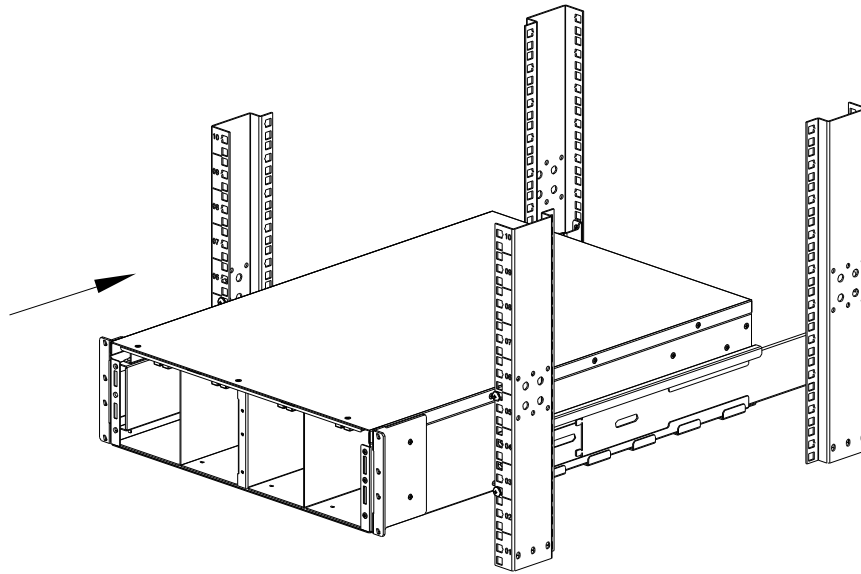
- 2 Secure the back of rail with 6 (M5x12) screws.



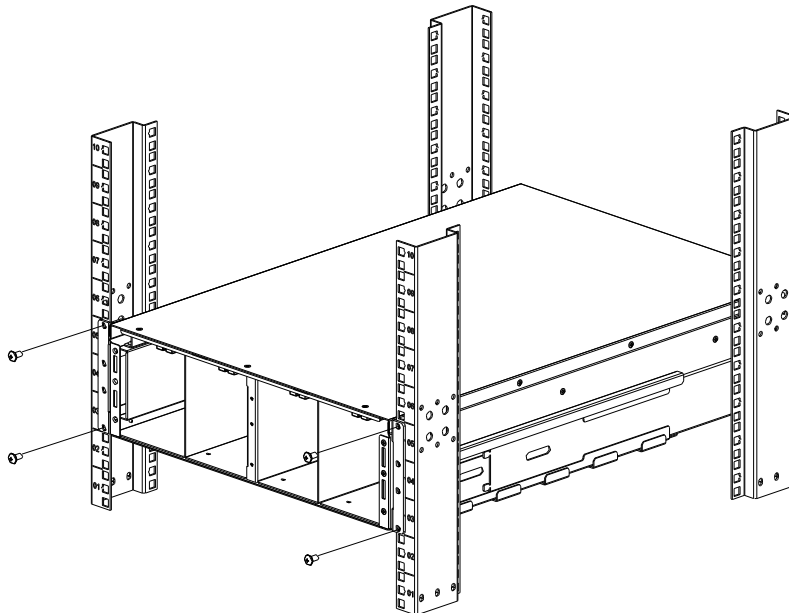
- 3 Secure the brackets on battery pack with 4 (M4x6) screws.



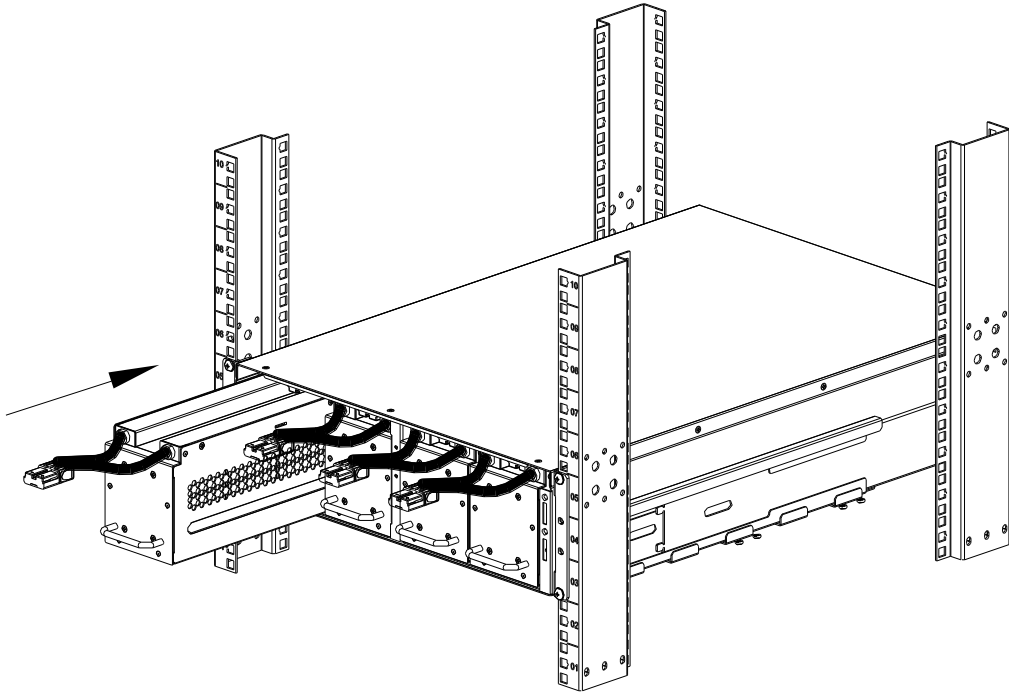
- 4 Rest the XLBP on the rail shelves.
Slide the XLBP into the rack.



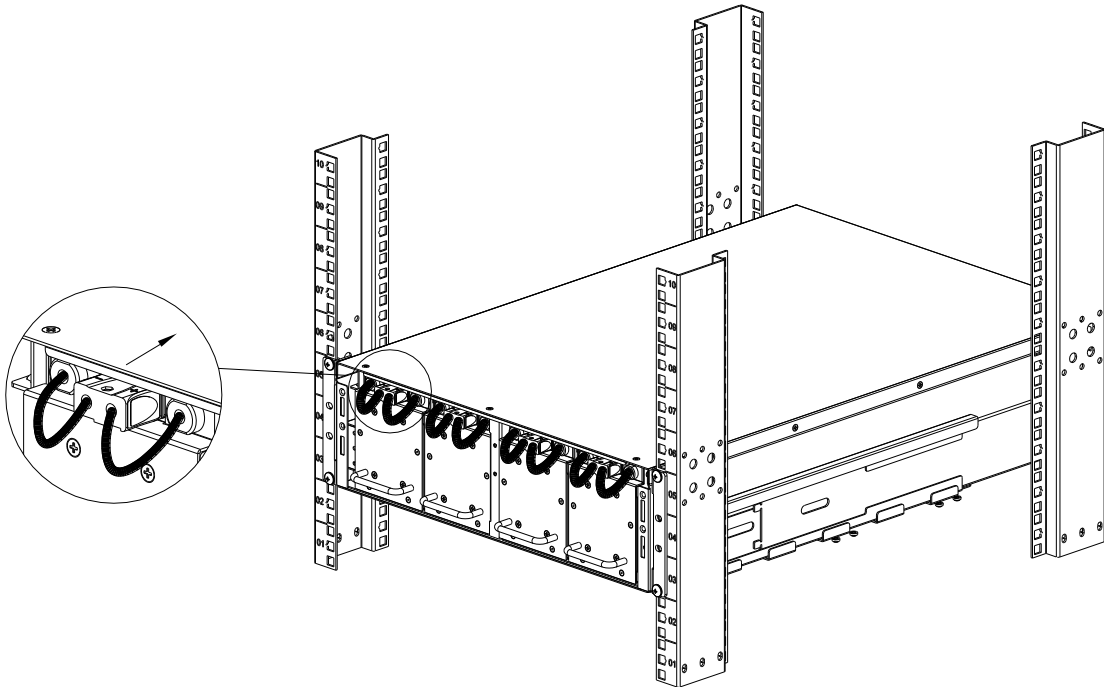
- 5 Secure brackets to pillar with 4 (M5x12) screws.



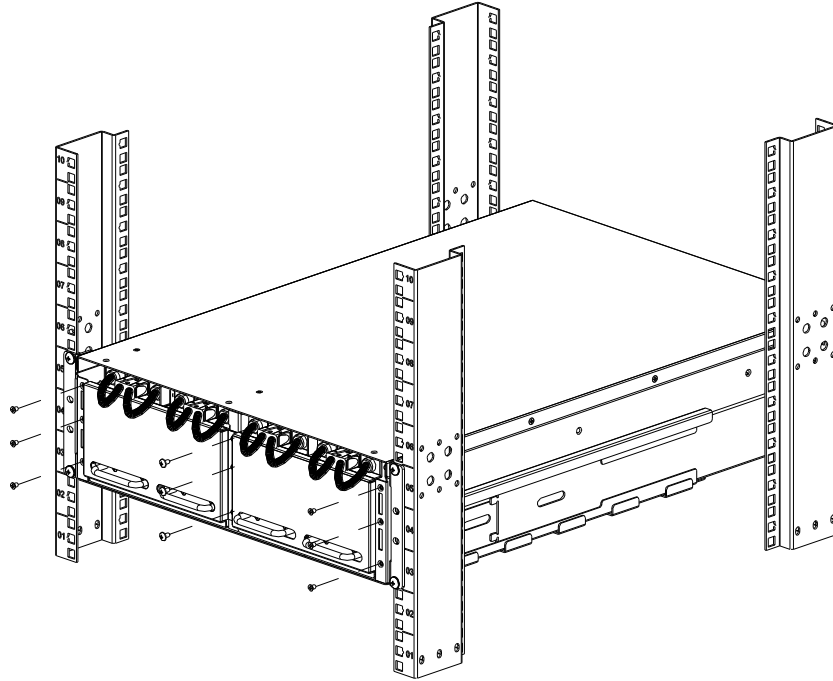
6 Install four battery modules.



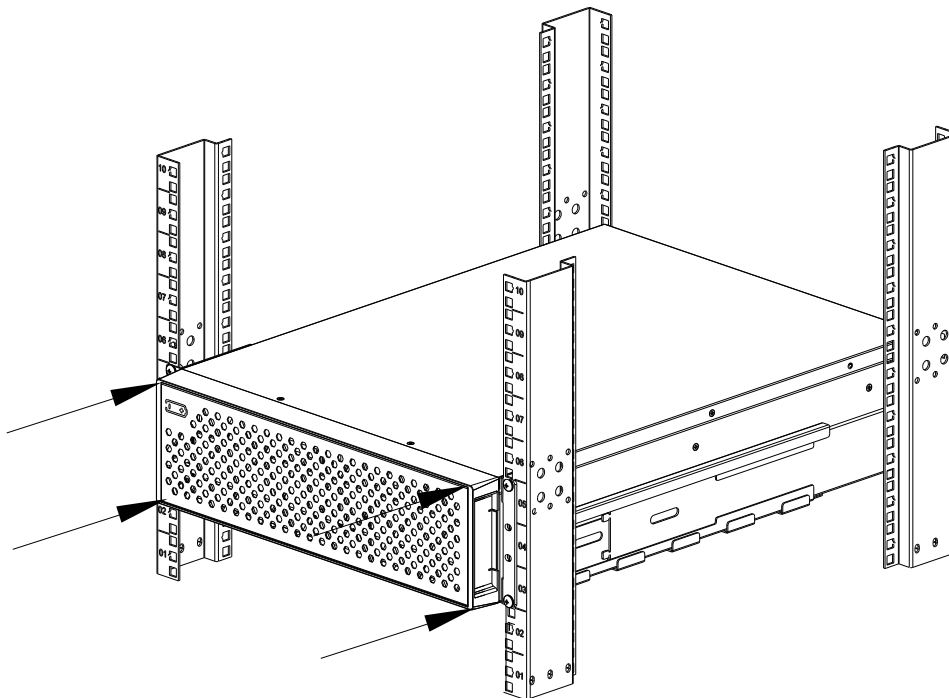
7 Connect four battery modules.



- 8 Secure the battery compartment door with 9 screws.

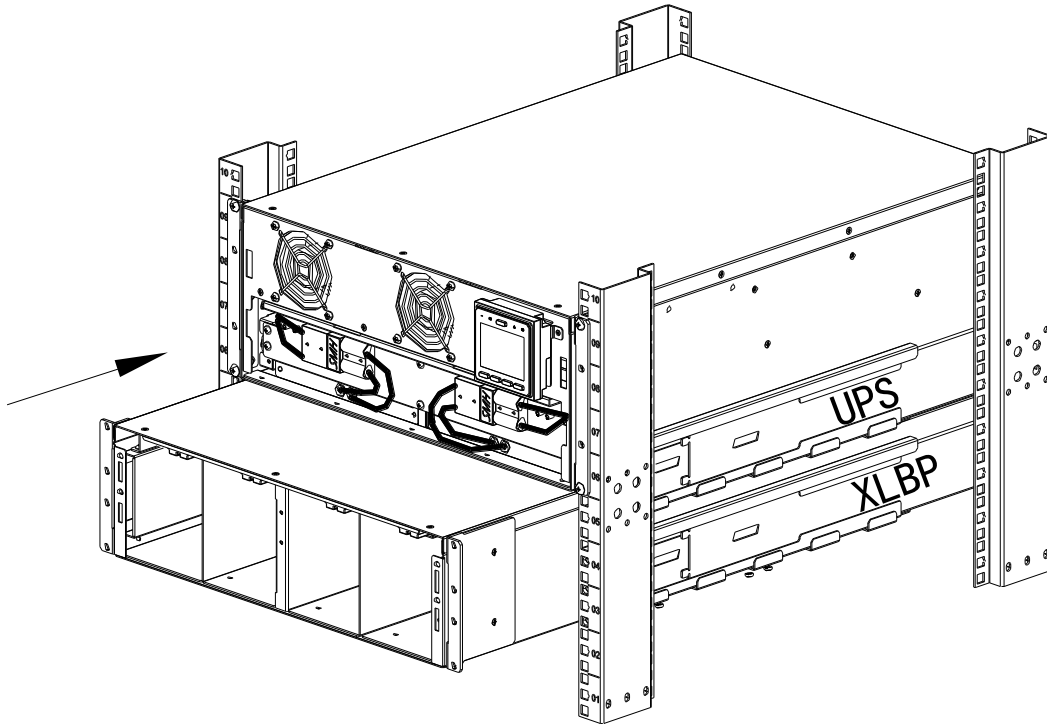


- 9 Install the front bezel of XLBP.

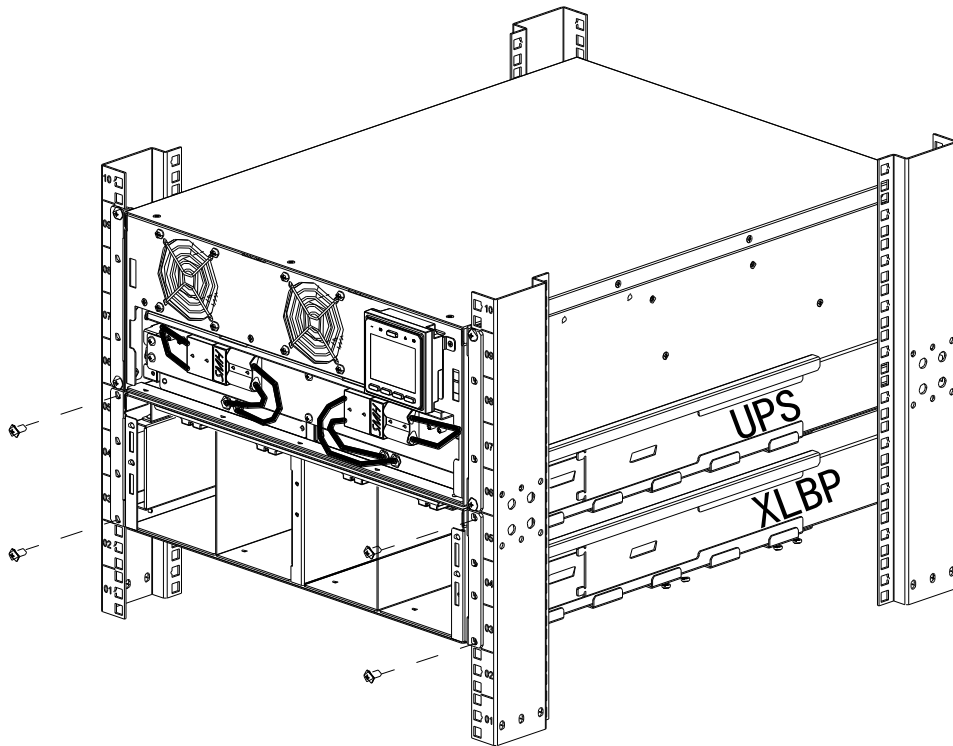


UPS models SRTG5KXLI/SRTG6KXLI with XLBP4

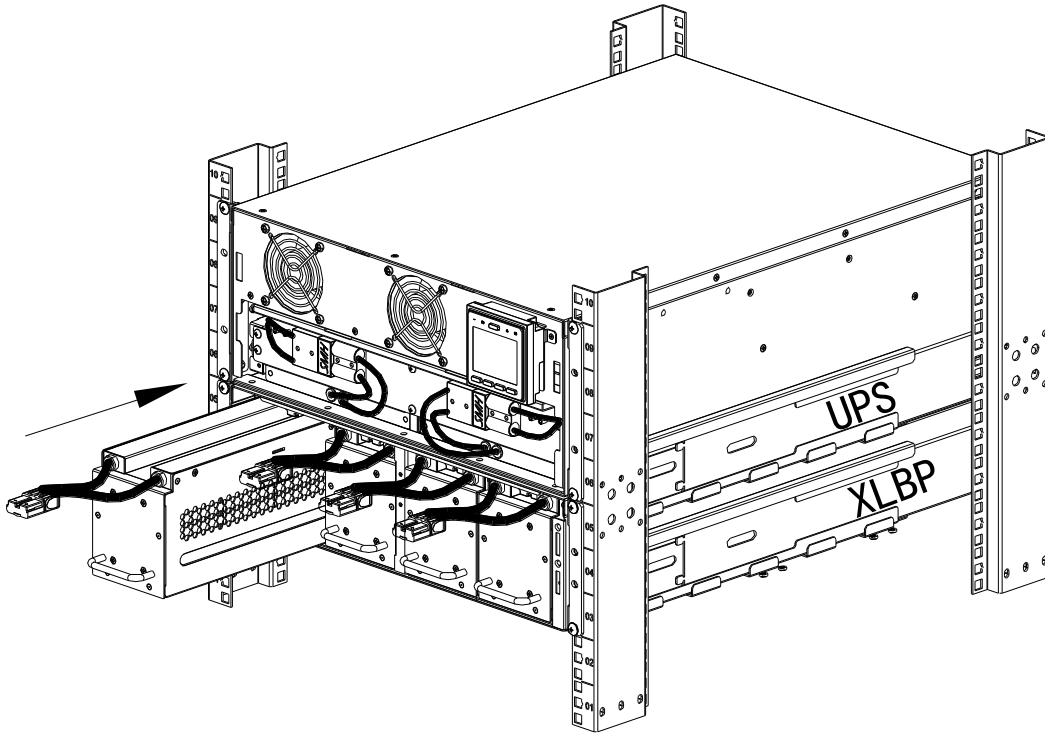
- 1 Put the battery pack on the rail.



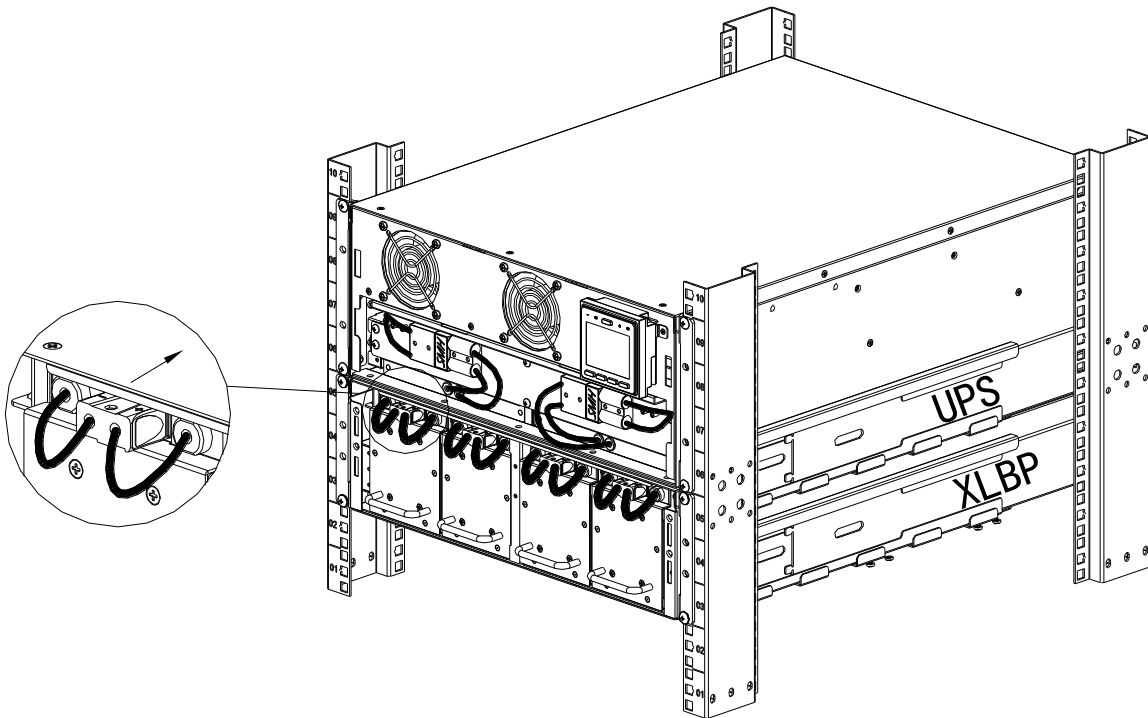
- 2 Secure brackets to pillar with 4 (M5x12) screws.



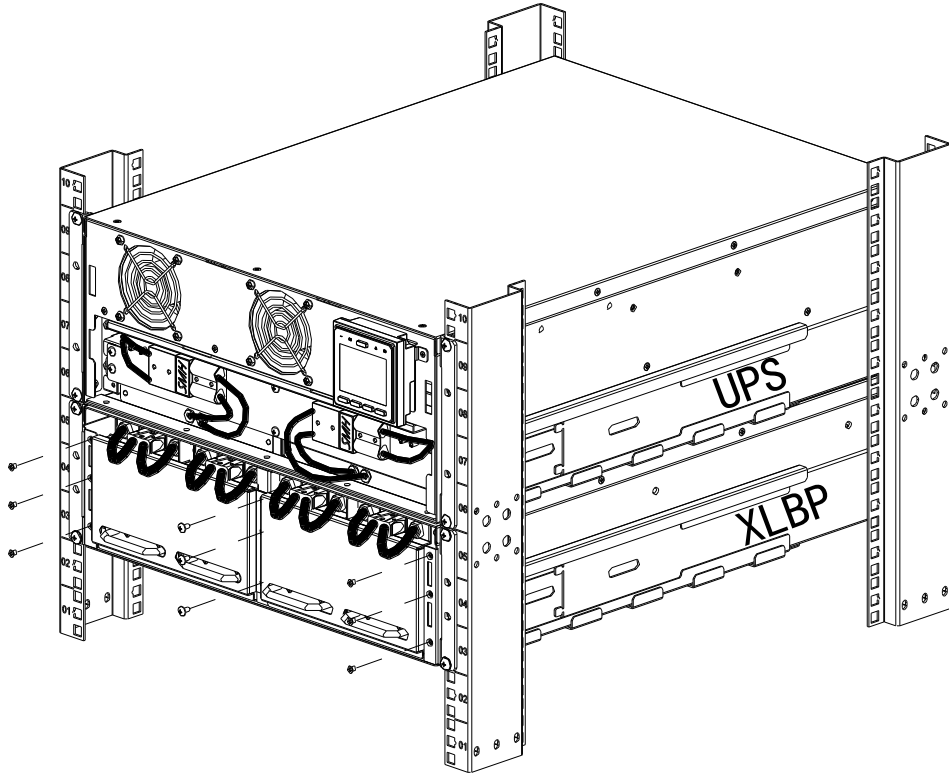
3 Install four battery modules.



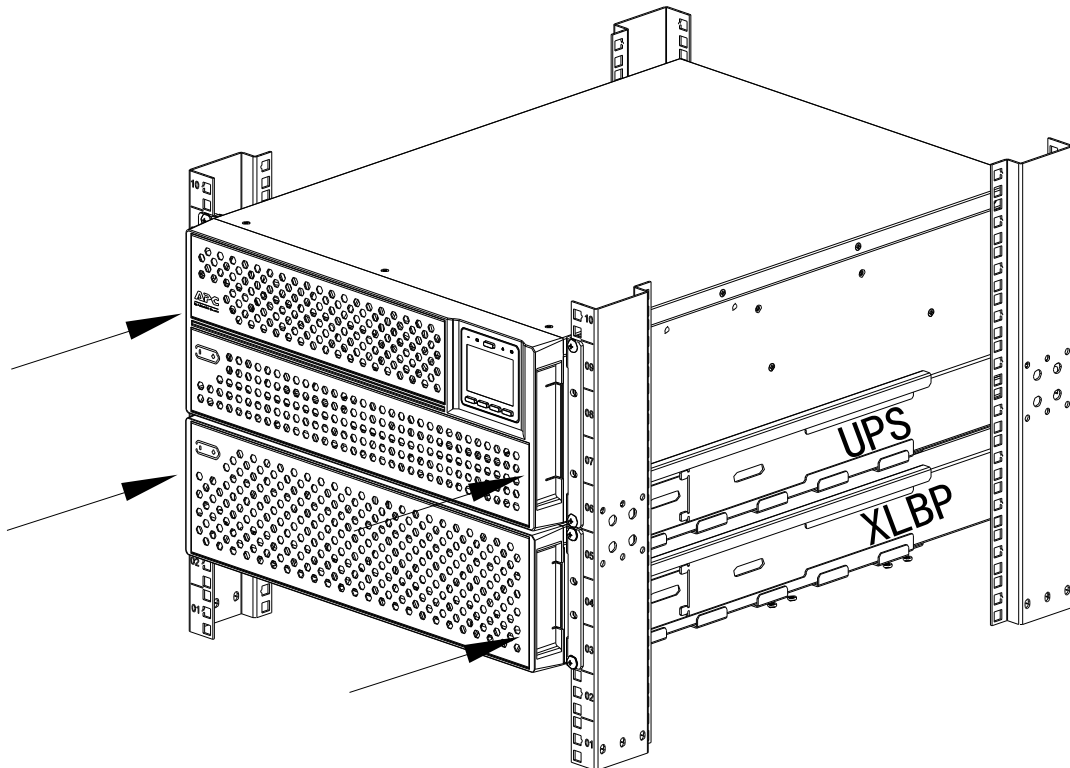
4 Connect four battery modules.



- 5 Secure the battery compartment door with 9 screws.



- 6 Install battery pack front bezel and UPS front bezel.



Tower Installation

⚠ CAUTION

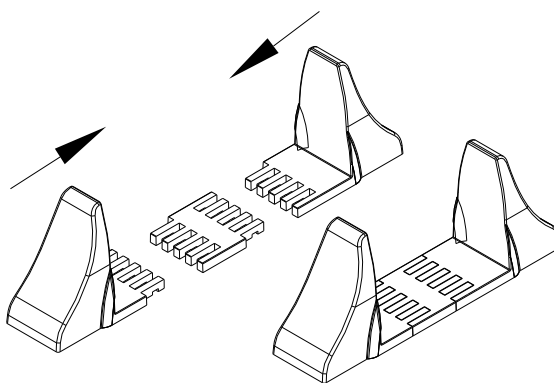
RISK OF FALLING OBJECTS

- Prior to installing the tie brackets, select a location sturdy enough for the combined weight of the units.
- Do not move the units once the tie brackets are installed.
- Always install stabilizer brackets when an XLBP and UPS model SRTG5K/6KXLI are installed together in tower configuration.
- Always install stabilizer brackets when an XLBP is installed in tower configuration and not secured to a UPS.

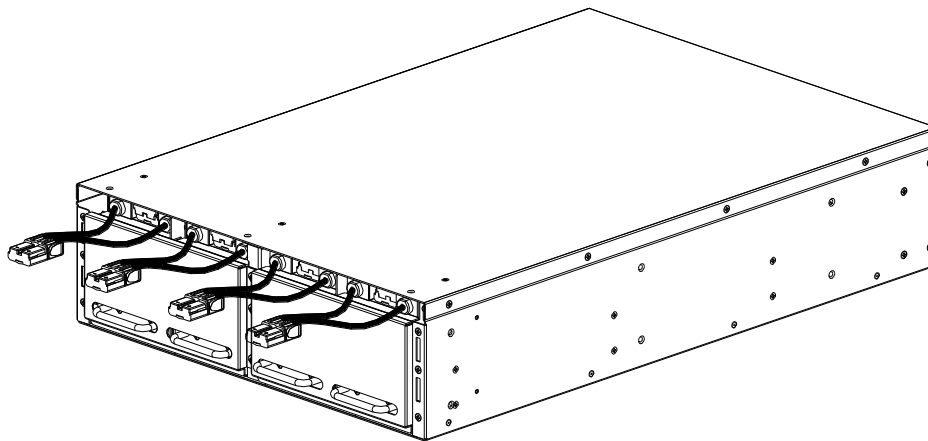
Failure to follow these instructions can result in equipment damage and minor or moderate injury.

Install the battery pack

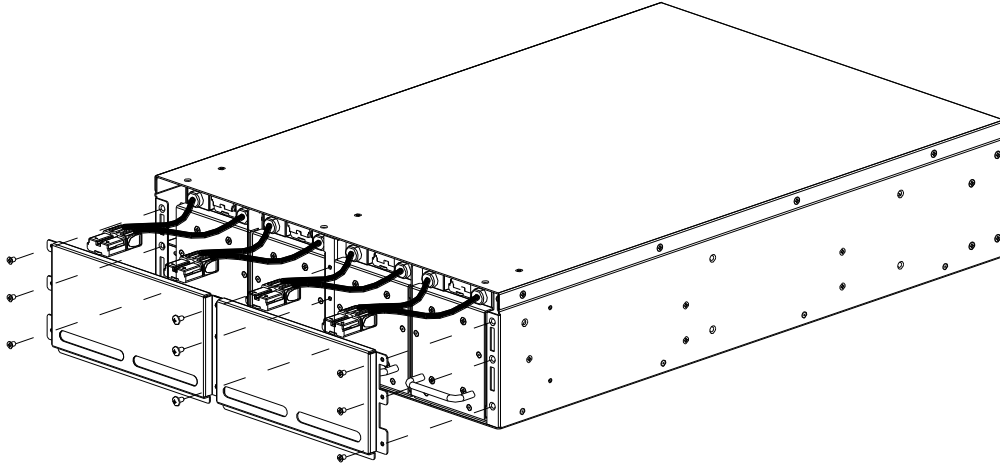
- 1 Assemble battery pack stabilizer bracket.



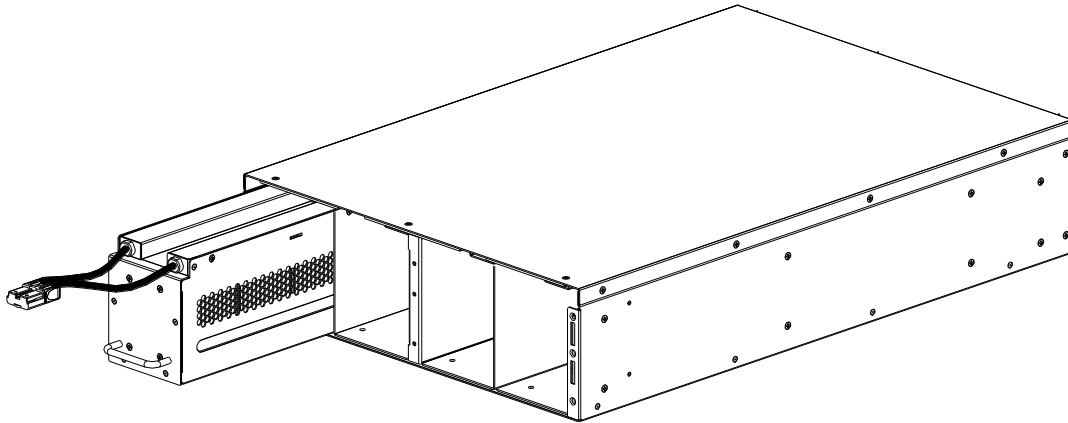
- 2 Disconnect battery.



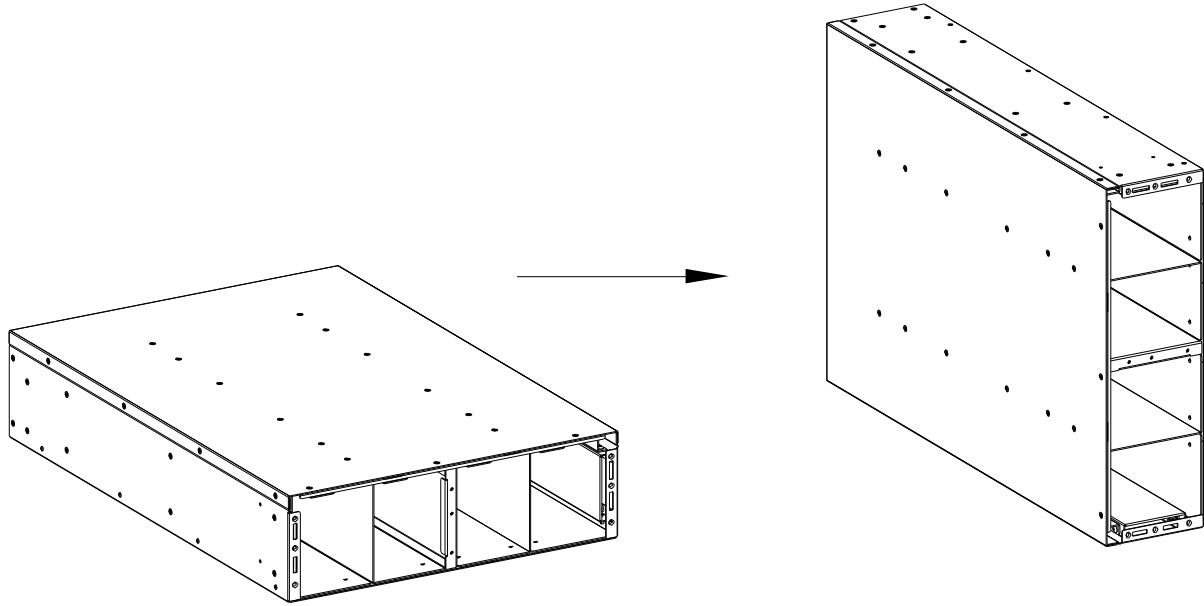
- 3 Remove the screws and battery compartment door.



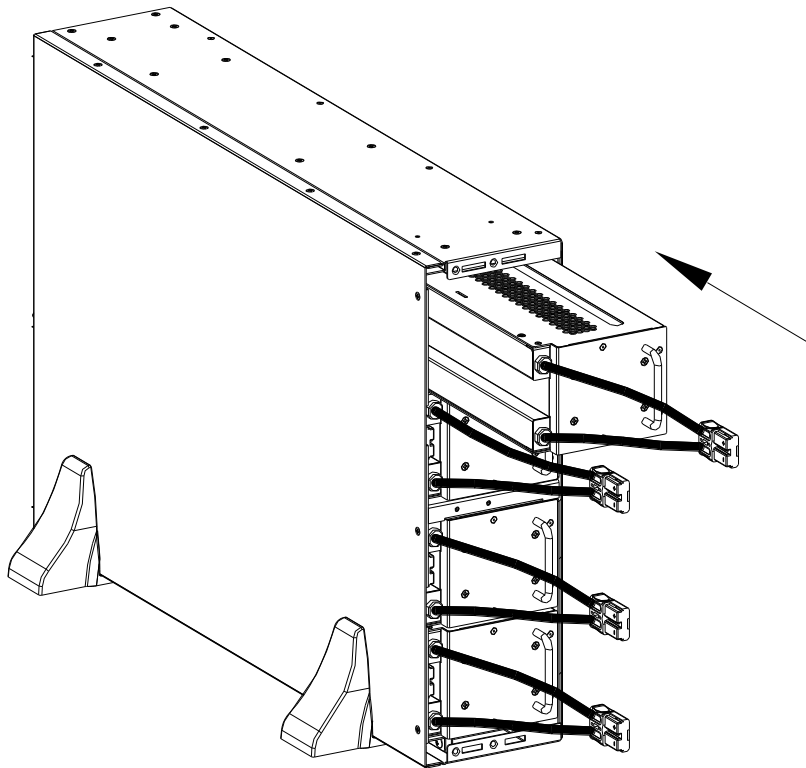
- 4 Remove the battery modules from the battery pack.



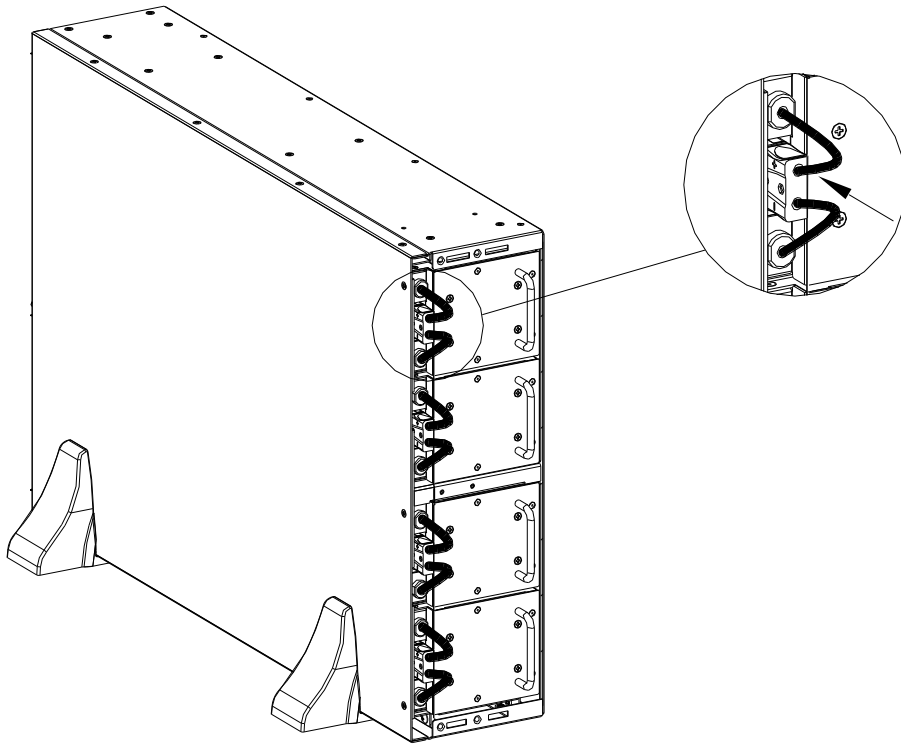
5 Change the orientation of the UPS to Tower orientation.



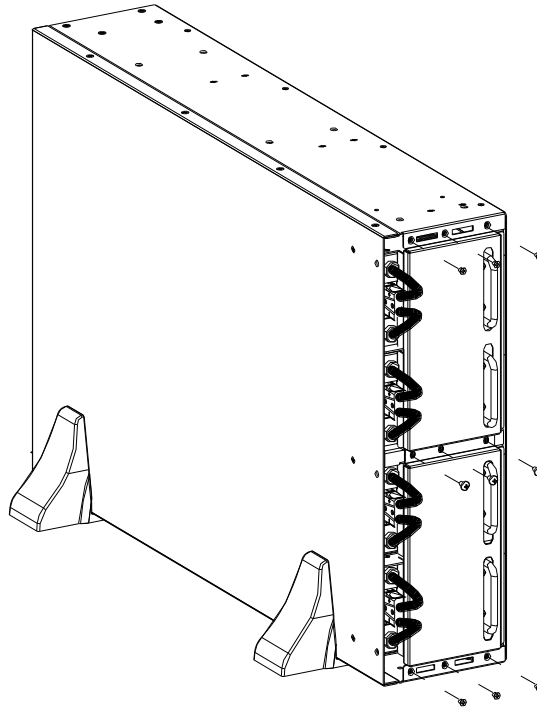
6 Install four battery modules.



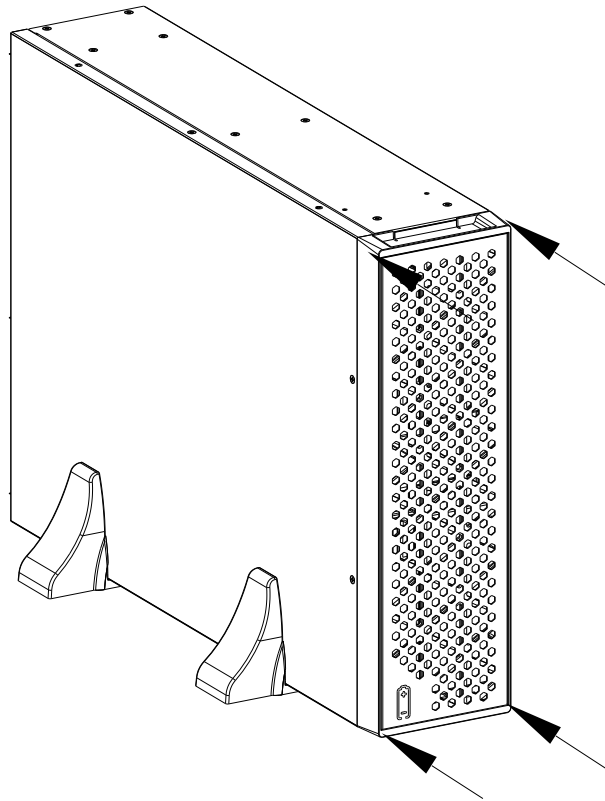
7 Connect four battery modules.



8 Secure the battery compartment door.

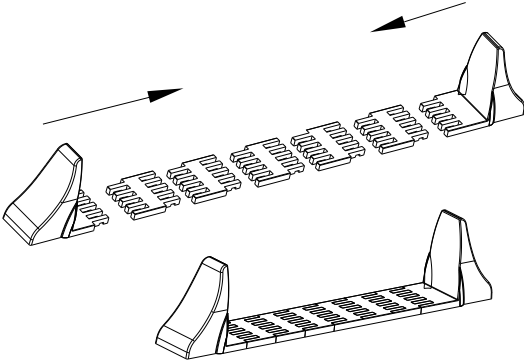


- 9 Install the front bezel of battery pack.

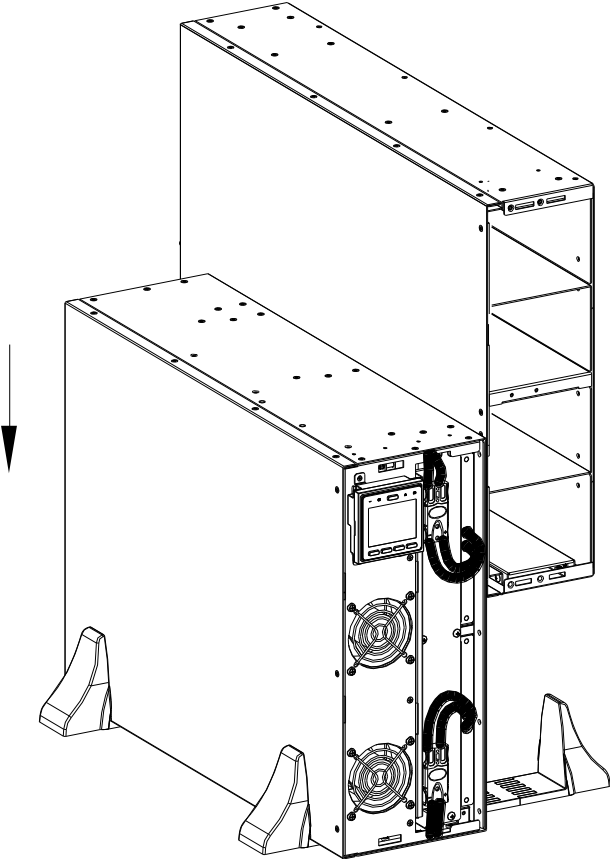


UPS models SRTG5KXLI/SRTG6KXLI with XLBP4

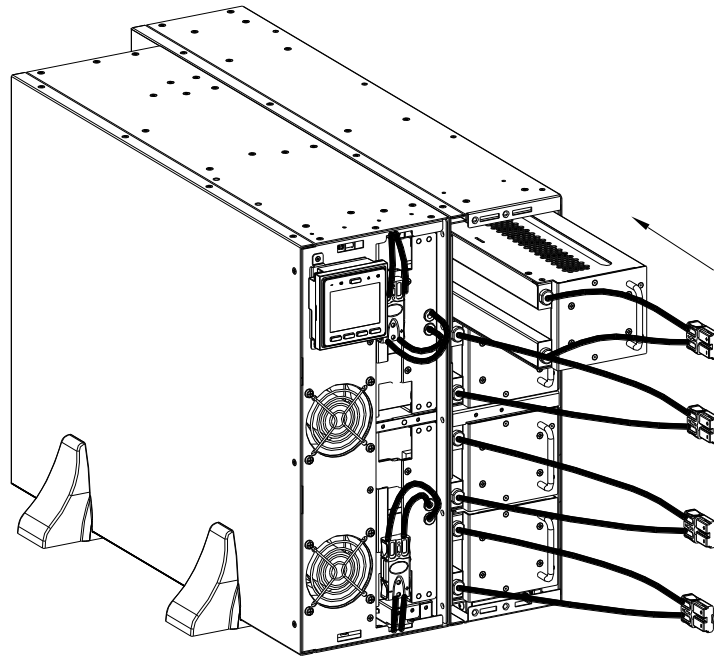
1 Assemble battery pack stabilizer bracket.



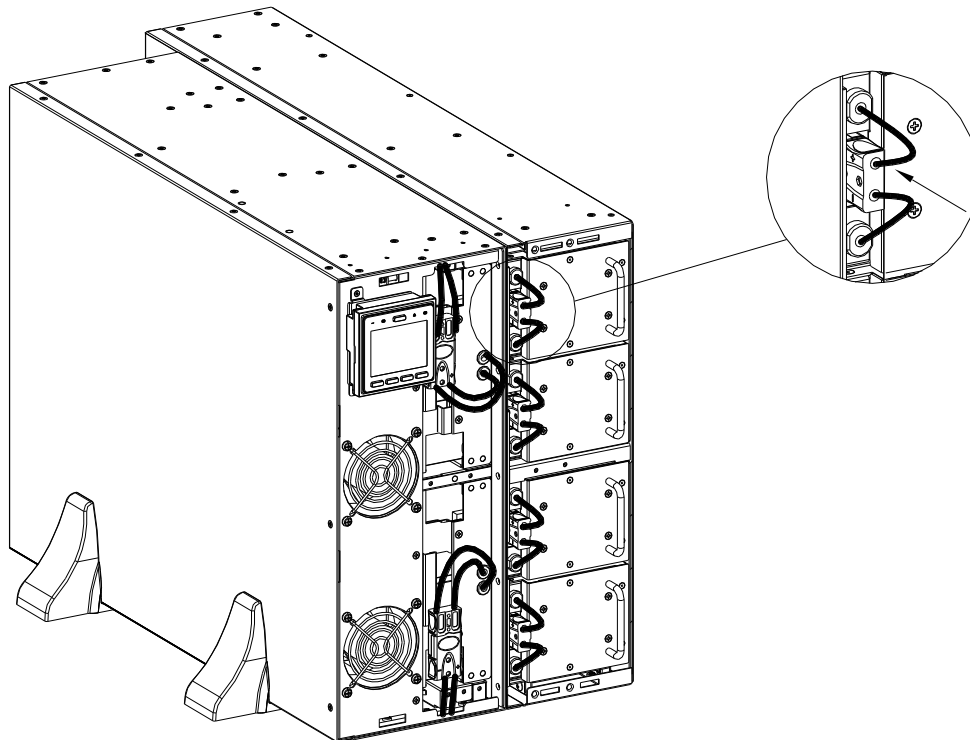
2 Mount the UPS and battery pack to the stabilizer bracket.



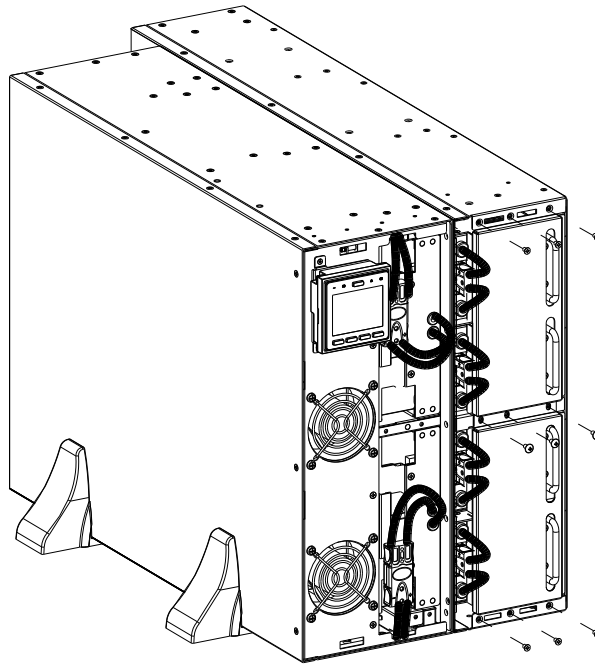
3 Install four battery modules.



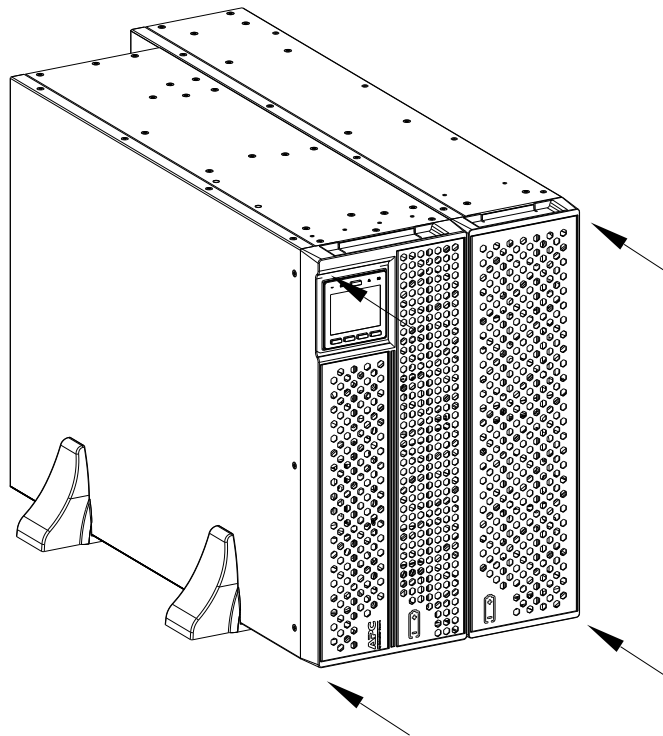
4 Connect four battery modules.



5 Secure the battery compartment door.



6 Install battery pack front bezel and UPS front bezel.



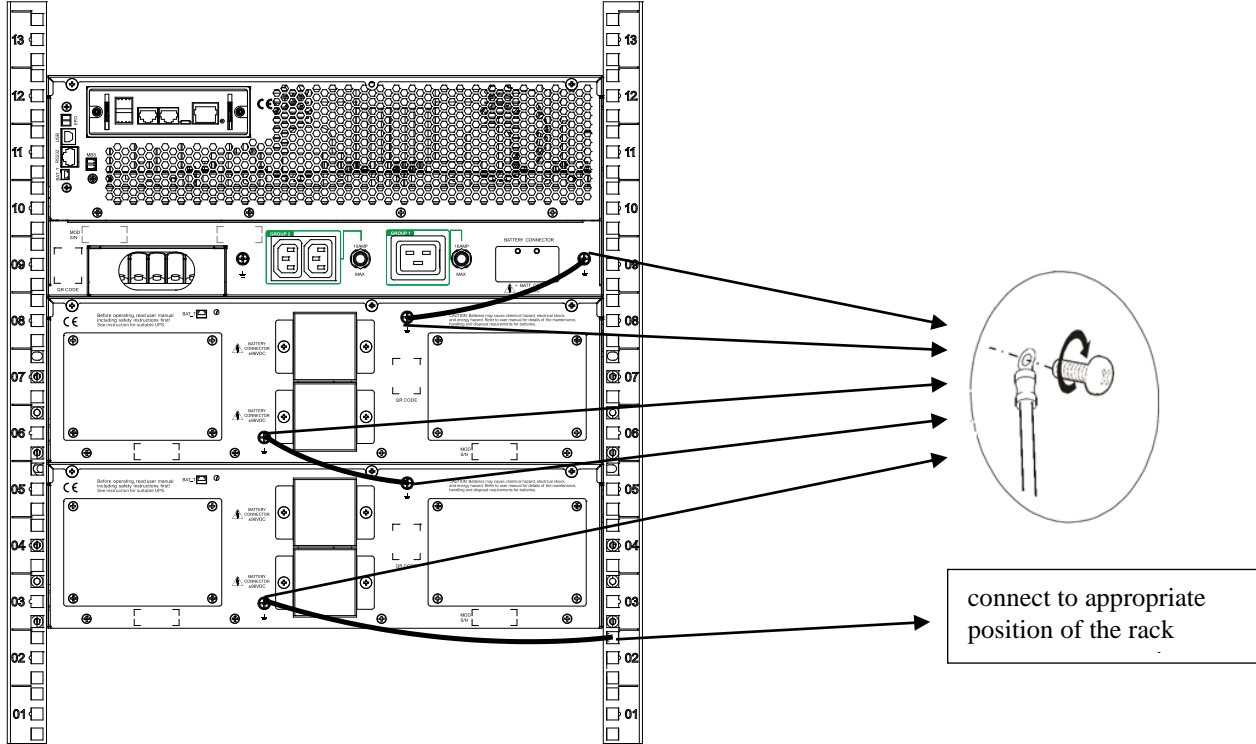
Connect Ground and Battery Wires

SRTG5K/6K XLI models with two SRTG192XLBP4

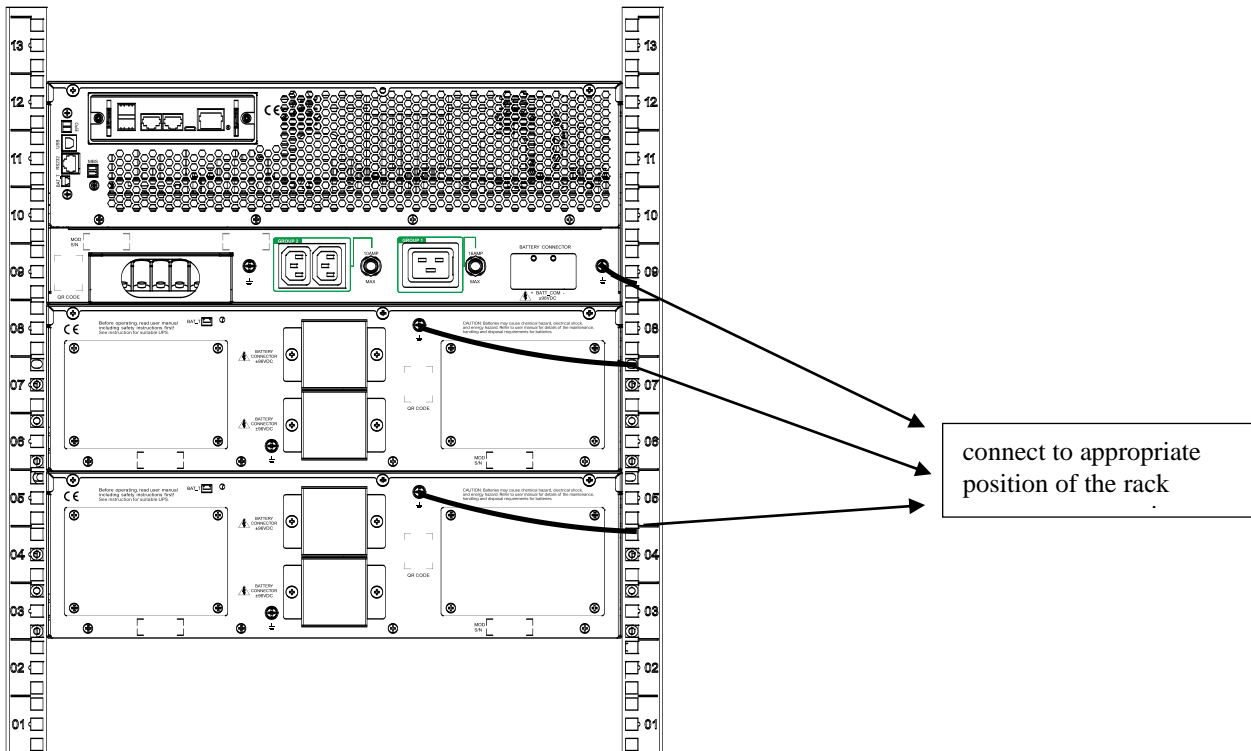
Connect ground wires

Recommended screw torque, 2.72 Nm (24 lbf-in)

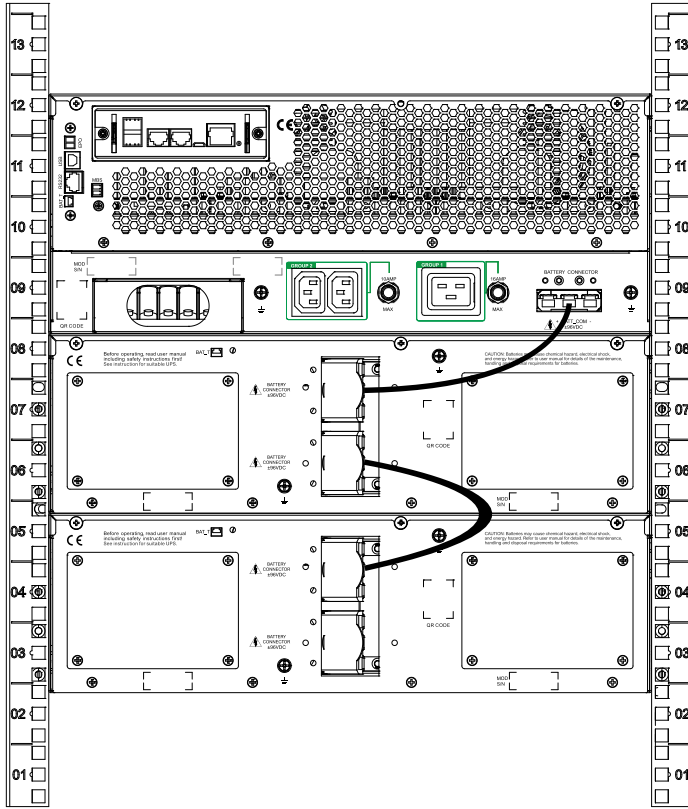
Recommended method 1:



Recommended method 2:



Connect external battery pack wires

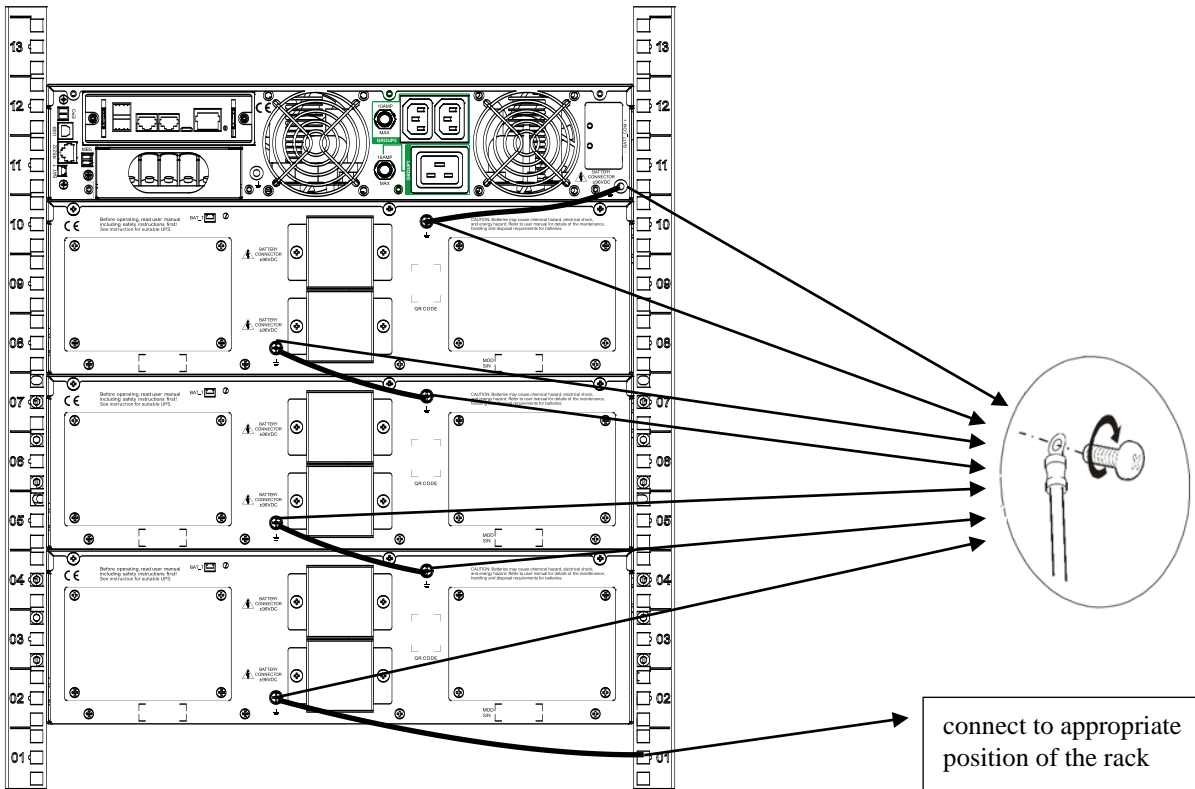


SRTG8K/10KXLI Models with two SRTG192XLBP4

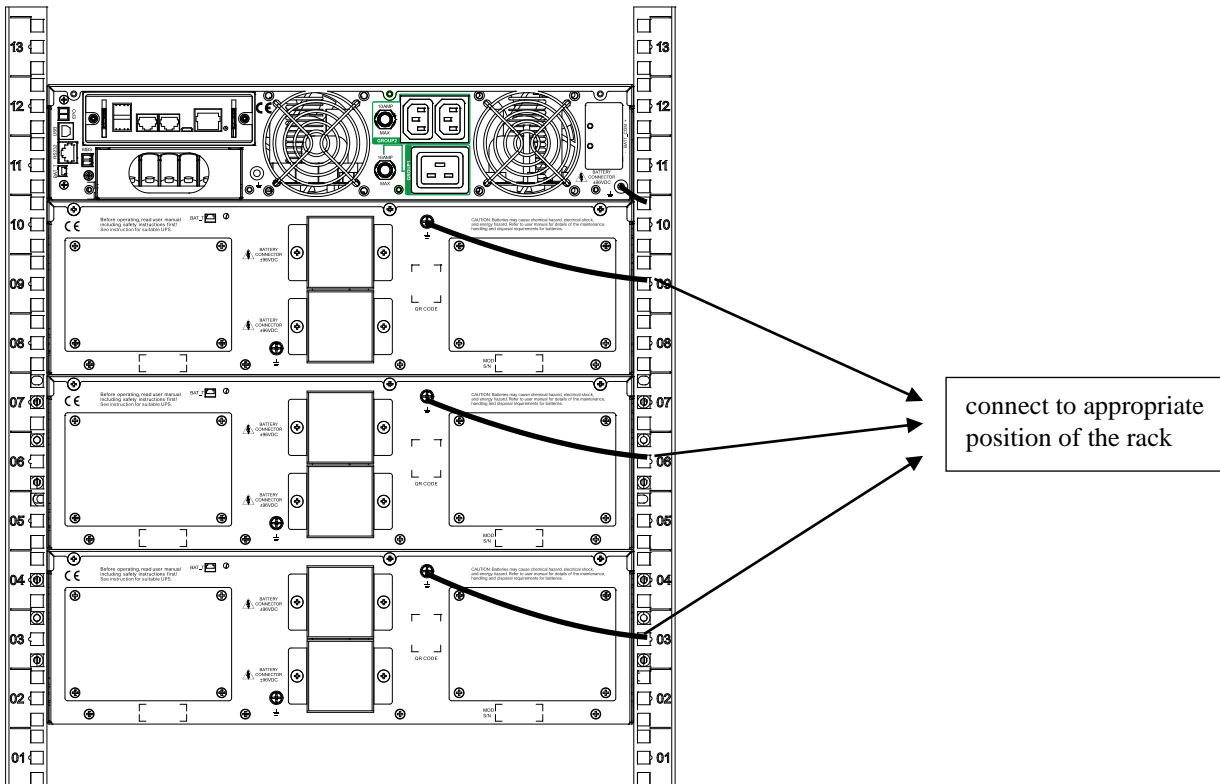
Connect ground wires

Recommended screw torque, 2.72 Nm (24 lbf-in)

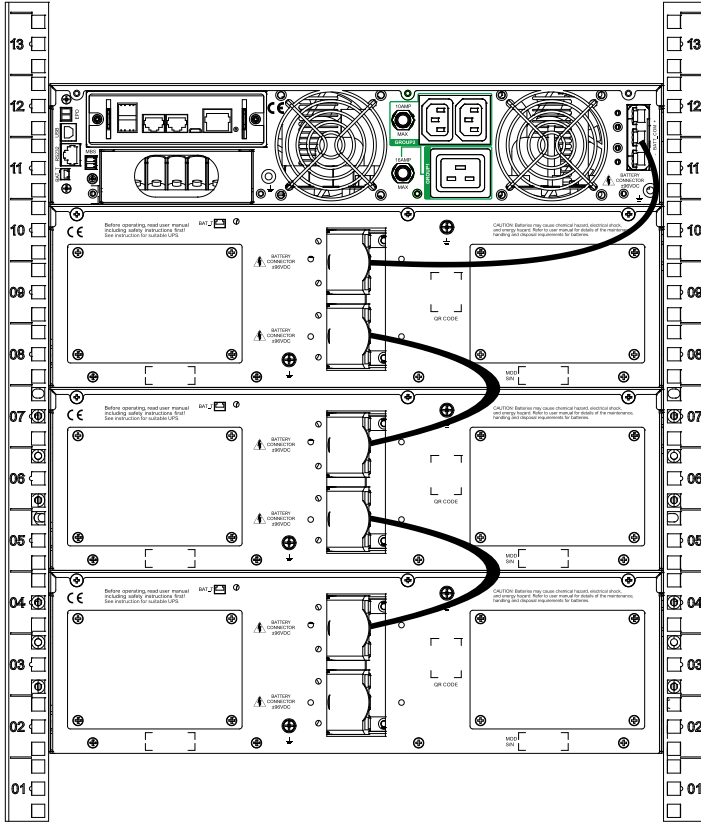
Recommended method 1:



Recommended method 2:



Connect external battery pack wires



Recycling Used Battery

For disposing/recycling used batteries, visit APC by Schneider Electric Website
www.apc.com → Choose your country → Support → Recycling options.

Troubleshooting

Issues	Possible Cause	Solution
UPS displays “Battery Over Temp Critical”	Battery temperature is very high	Do not attempt to use the UPS. Turn the UPS off and have it serviced immediately.
UPS displays “Battery Temp Sensor Disconnected”	Battery temperature sensor is disconnected	Be sure that the wires from the temperature sensor are connected.
UPS displays “Battery Over Temp”	Battery over temperature	Decrease the ambient temperature. If the issue still persists, then contact your dealer.
UPS displays “+ Battery Disconnected”	Wire from "+" terminal of battery is disconnected.	Be sure that the wire is securely connected at both the battery terminal and the UPS.
UPS displays “- Battery Disconnected”	Wire from "-" terminal of battery is disconnected.	Be sure that the wire is securely connected at both the battery terminal and the UPS.
UPS displays “RBC Needs Replacement”	The battery module needs to be replaced.	Replace the battery module.
UPS displays “Battery Reverse Connection”	The polarities of the battery connection have got reversed.	Be sure that the polarities are correct at the UPS terminals.
UPS displays “+Battery Over Voltage”	Positive battery over voltage	Contact your dealer.
UPS displays “-Battery Over Voltage”	Negative battery over voltage	Contact your dealer.
UPS displays “+Battery Low Voltage”	Positive battery low voltage	Contact your dealer.
UPS displays “-Battery Low Voltage”	Negative battery low voltage	Contact your dealer.
UPS displays “Battery Low Temperature”	Battery low temperature	Increase the ambient temperature. If the issue still persists, then contact your dealer.
UPS displays “+Charger Error”	Internal error detected in positive battery charger	Contact your dealer.
UPS displays “-Charger Error”	Internal error detected in negative battery charger	Contact your dealer.

Limited Factory Warranty

Schneider Electric IT Corporation (SEIT), warrants its products to be free from defects in materials and workmanship for a period of three (3) years excluding the batteries, which are warranted for two (2) years from the date of purchase. The SEIT obligation under this warranty is limited to repairing or replacing, at its own sole option, any such defective products. Repair or replacement of a defective product or part thereof does not extend the original warranty period.

This warranty applies only to the original purchaser who must have properly registered the product within 10 days of purchase. Products may be registered online at warranty.apc.com.

SEIT shall not be liable under the warranty if its testing and examination disclose that the alleged defect in the product does not exist or was caused by end user or any third person misuse, negligence, improper installation, testing, operation or use of the product contrary to SEIT recommend actions of specifications. Further, SEIT shall not be liable for defects resulting from: 1) unauthorized attempts to repair or modify the product, 2) incorrect or inadequate electrical voltage or connection, 3) inappropriate on site operation conditions, 4) Acts of God, 5) exposure to the elements, or 6) theft. In no event shall SEIT have any liability under this warranty for any product where the serial number has been altered, defaced, or removed.

EXCEPT AS SET FORTH ABOVE, THERE ARE NO WARRANTIES, EXPRESS OR IMPLIED, BY OPERATION OF LAW OR OTHERWISE, APPLICABLE TO PRODUCTS SOLD, SERVICED OR FURNISHED UNDER THIS AGREEMENT OR IN CONNECTION HEREWITH.

SEIT DISCLAIMS ALL IMPLIED WARRANTIES OF MERCHANTABILITY, SATISFACTION AND FITNESS FOR A PARTICULAR PURPOSE.

SEIT EXPRESS WARRANTIES WILL NOT BE ENLARGED, DIMINISHED, OR AFFECTED BY AND NO OBLIGATION OR LIABILITY WILL ARISE OUT OF, SEIT RENDERING OF TECHNICAL OR OTHER ADVICE OR SERVICE IN CONNECTION WITH THE PRODUCTS.

THE FOREGOING WARRANTIES AND REMEDIES ARE EXCLUSIVE AND IN LIEU OF ALL OTHER WARRANTIES AND REMEDIES. THE WARRANTIES SET FORTH ABOVE CONSTITUTE SEIT'S SOLE LIABILITY AND PURCHASER EXCLUSIVE REMEDY FOR ANY BREACH OF SUCH WARRANTIES. SEIT WARRANTIES EXTEND ONLY TO ORIGINAL PURCHASER AND ARE NOT EXTENDED TO ANY THIRD PARTIES.

IN NO EVENT SHALL SEIT, ITS OFFICERS, DIRECTORS, AFFILIATES OR EMPLOYEES BE LIABLE FOR ANY FORM OF INDIRECT, SPECIAL, CONSEQUENTIAL OR PUNITIVE DAMAGES, ARISING OUT OF THE USE, SERVICE OR INSTALLATION OF THE PRODUCTS, WHETHER SUCH DAMAGES ARISE IN CONTRACT OR TORT, IRRESPECTIVE OF FAULT, NEGLIGENCE OR STRICT LIABILITY OR WHETHER SEIT HAS BEEN ADVISED IN ADVANCE OF THE POSSIBILITY OF SUCH DAMAGES. SPECIFICALLY, SEIT IS NOT LIABLE FOR ANY COSTS, SUCH AS LOST PROFITS OR REVENUE, WHETHER DIRECT OR INDIRECT, LOSS OF EQUIPMENT, LOSS OF USE OF EQUIPMENT, LOSS OF SOFTWARE, LOSS OF DATA, COSTS OF SUBSTITUTANTS, CLAIMS BY THIRD PARTIES, OR OTHERWISE.

NOTHING IN THIS LIMITED WARRANTY SHALL SEEK TO EXCLUDE OR LIMIT OR DEATH OR PERSONAL INJURY RESULTING FROM ITS NEGLIGENCE OR ITS FRAUDULENT MISREPRESENTATION OF TO THE EXTENT THAT IT CANNOT BE EXCLUDED OR LIMITED BY APPLICABLE LAW.

To obtain service under warranty you must obtain a Returned Material Authorization (RMA) number from customer support. Customers with warranty claims issues may access the SEIT worldwide customer support network through the APC by Schneider Electric Web site: www.apc.com. Select your country from the country selection drop down menu. Open the Support tab at the top of the web page to obtain information for customer support in your region. Products must be returned with transportation charges prepaid and must be accompanied by a brief description of the problem encountered and proof of date and place of purchase.

APC by Schneider Electric Worldwide Customer Support

Customer support for this or any other APC™ by Schneider Electric product is available at no charge in any of the following ways:

- Visit the APC by Schneider Electric Web site to access documents in the APC by Schneider Electric Knowledge Base and to submit customer support requests.
 - **www.apc.com** (Corporate Headquarters)
Connect to localized APC by Schneider Electric Web sites for specific countries, each of which provides customer support information.
 - **www.apc.com/support/**
Global support searching APC by Schneider Electric Knowledge Base and using e-support.
- Contact APC Customer Support Center by telephone or e-mail.
 - Local, country specific centers: go to **www.apc.com/support/contact** for contact information.

For information on how to obtain local customer support, contact the APC by Schneider Electric representative or other distributor from whom you purchased your APC by Schneider Electric product.

User Document Link

Refer the link or scan the QR code to access the user documentation:

SRTG192XLBP4

<https://d.go2se.com/SRTG192XLBP4>



Customer support and warranty information are available on the APC by Schneider Electric Web site, **www.apc.com**.

© 2020 APC by Schneider Electric. APC, the APC logo, and Smart-UPS are owned by Schneider Electric Industries S.A.S., or their affiliated companies. All other trademarks are property of their respective owners.

EN 990-91417

07/2020